

Model 4-R WINDOW BUBBLE

Rectangular Style Bubble for Round, Straight or Square Style Metal Window Wells

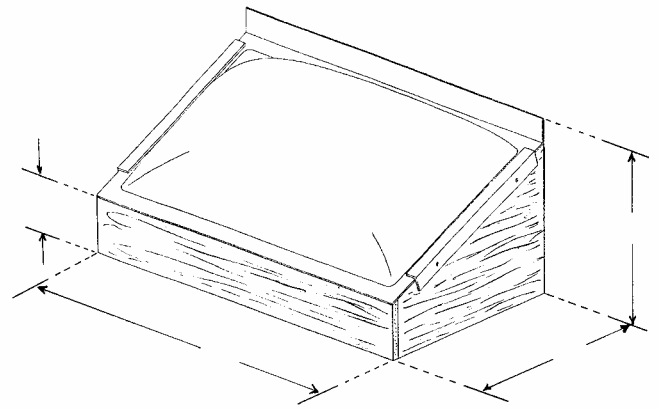
This model is used for round, straight or square style metal window wells. Model 4-R is rectangular and designed to rest on the ground around the outside edge of the well. This unit should be larger than the well itself (2-4" longer and 2" larger in projection). The Window Bubble dome is attached to a redwood frame. The dome is 4" to 5" high, which gives this unit its maximum load strength. If this model is going against a flat vertical wall such as brick, stucco, concrete block or vertical wood siding, the cover should extend at least 2" higher than window height. If you have wood, vinyl or aluminum siding, it is preferable to fit under the siding. If not, we can cut the redwood frame to fill in the space under the siding.

Special Circumstances

We do not advise drilling holes in this unit, either in the flange area or the bubble itself. Do not cut the bubble in any location without first calling our office. This cover is excellent for use where irregular stone walls, electric wires or pipes necessitate cutouts for a proper fit. A Redwood extension can be added to the back of the unit to scribe against a rough wall or allow for cutouts. If your well has been used to vent a dryer or similar appliance, the redwood frame can be drilled for 2" or 4" screened vents, or you can vent directly through the frame. This model may be hinged for egress.

Installation is Simple

Units are preassembled at our factory and broken down for economical shipping. Holes are predrilled and units come complete with hardware and full instructions. This model is fastened to the house wall with 2 angle brackets. We recommend one on each side near the center of the frame. Place the bracket at the desired location and mark the hole on the house wall. If the surface is concrete or brick, drill a 1/4" hole (1" deep) with a masonry drill bit. Insert the plastic anchor and screw the bracket to the wall. Tighten until snug. Screw the other side of the bracket to the Redwood frame. DO NOT OVER TIGHTEN. Be sure to check your local building codes for egress requirements before attaching the cover.

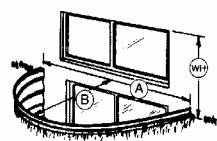


We Use Only High Quality Materials

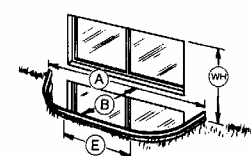
The Window Bubble is formed from 3/16" PLEXIGLAS® Acrylic. The redwood frame is made of 4/4" (3/4"), 5/4" (1") or 8/4" (1 1/2") thick*, clear all heart California redwood*. We use redwood because of its superior resistance to decay. *(thickness of redwood will depend on availability of material).

Model 4-R Window Bubble covers round, straight or square style metal wells.

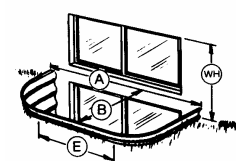
ROUND STYLE WELL



STRAIGHT STYLE WELL



SQUARE STYLE WELL



NOTE: If this cover is being used as an egress cover, we highly recommend a hinged unit which can be opened from inside the well. Be sure to check your local building codes for egress requirements before attaching the cover.

Dilworth Manufacturing Company
Creators of the Window Bubble®

PO Box 158, Honey Brook, PA 19344-0158

Toll Free Phone: 888-624-8699

Toll Free Fax: 877-859-7226